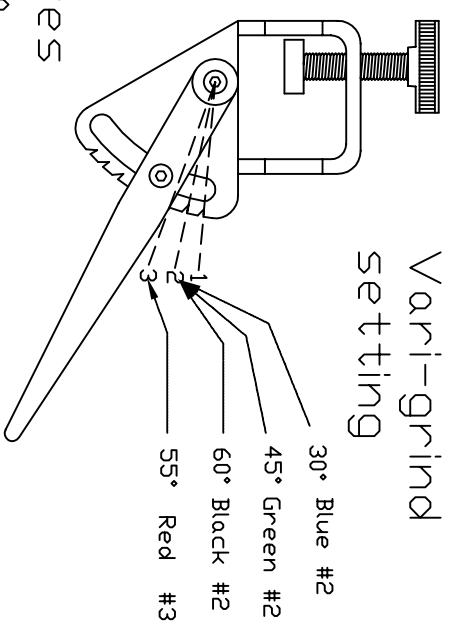
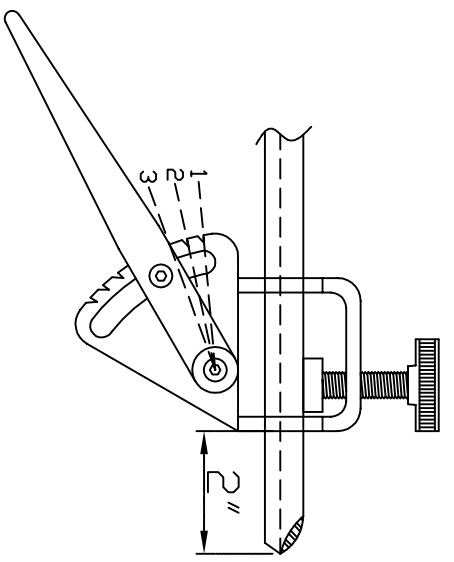


Vee Arm Distance	Color	Grind
6	Blue	(#2)
7	Green	(#2)
7 <sup>3</sup> / <sub>16</sub>	Red	(#3)
7 <sup>7</sup> / <sub>8</sub>	Black	(#2)

- Notes:
1. Subtract 2" for sleeves
  2. Grind weld on Vee Arm flush with pocket.



- Vari-grind setting
- 30° Blue #2
  - 45° Green #2
  - 60° Black #2
  - 55° Red #3